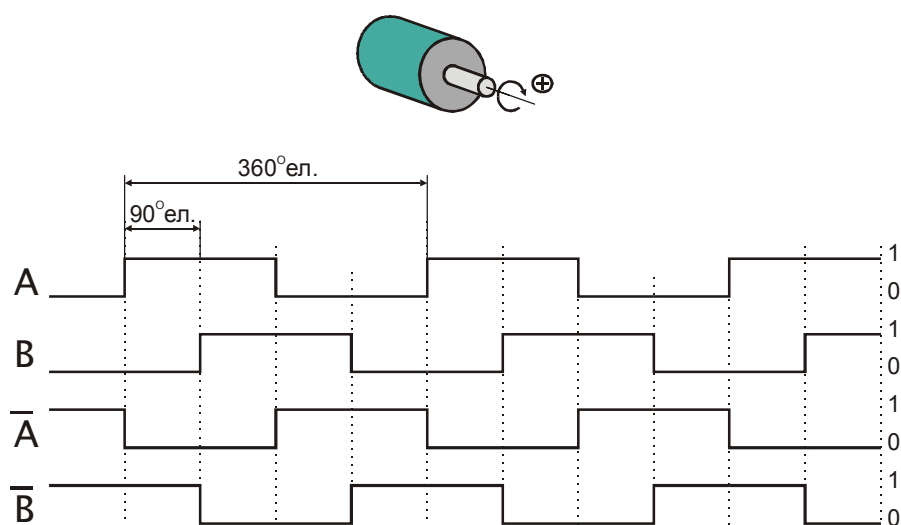


## TECHNICAL DATA FRP-6B

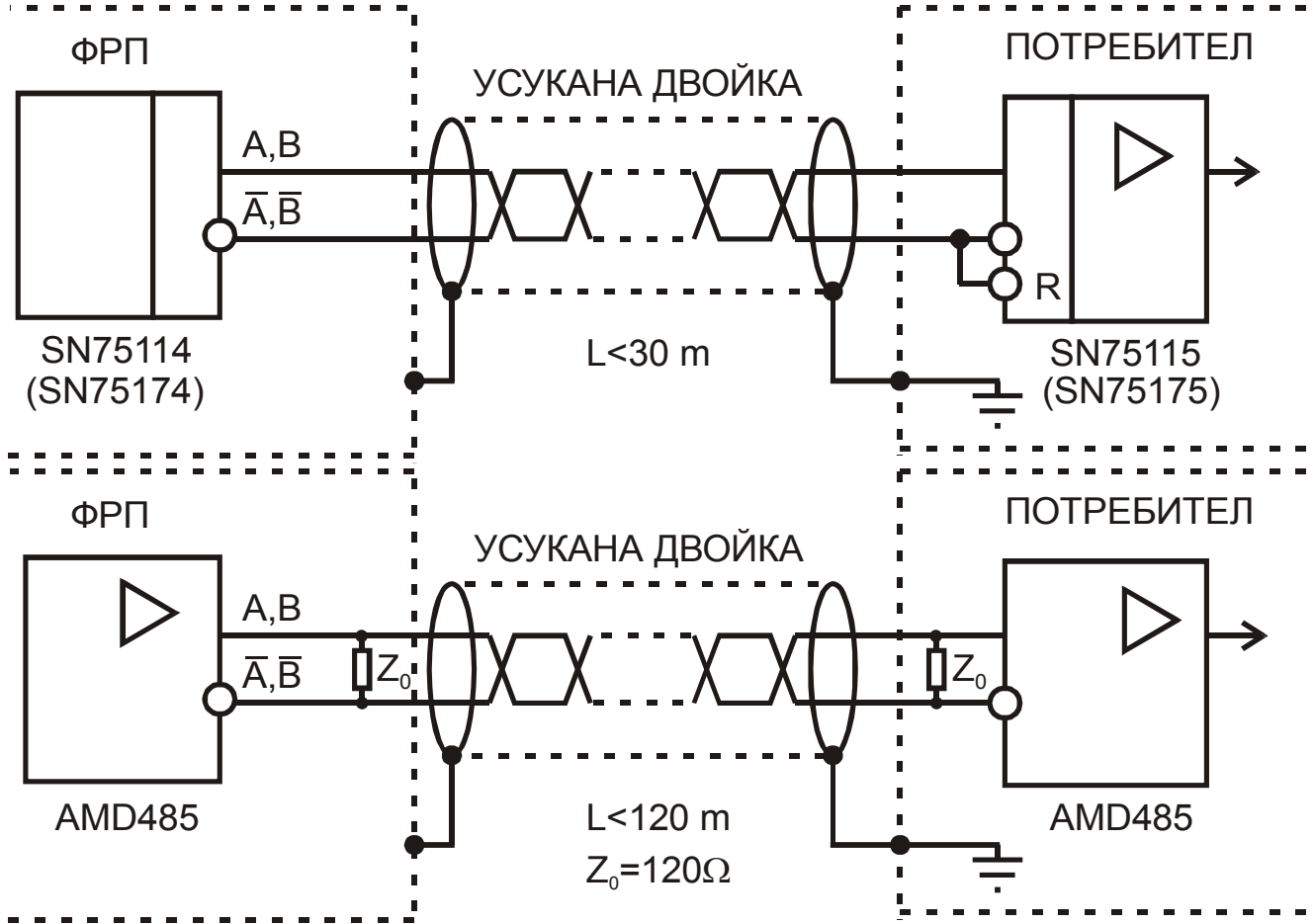
Number of pulses per revolution <b>N</b>	100
Supply voltage	+5V±5%/100mA*
Output signals	
channels	A, B, $\bar{A}$ , $\bar{B}$
phase shift	90°±36° el.
pulse duty factor	0,5±0,1
maximum frequency <b>f<sub>max</sub></b>	10 kHz
Level of output signals	
log"0"	≤0,5V
log"1"	≥2,5V ≤ 5,25
Maximum admissible revolutions	5000 min <sup>-1</sup>
Operating temperature	0°C to +50°C.
Storage temperature	-20°C to +70°C.
Admissible relative humidity	85% at 25°C
Degree of protection	IP 41
Maximum shaft load	
Radial	10 N
Axial	5N
Weight	0,3 kg.
Recommended coupler	CC-34, MC 35

\* On request – built-in DC/DC converter +10V÷+30V DC.

### DIAGRAM OF THE OUTPUT SIGNALS



RECOMMENDED ЕЛЕКТРИЧЕСКО ПРИСЪЕДИНЯВАНЕ



OUTPUT COUPLING

Function	Pin
shield	1
0V	2
$\bar{B}$	3
+5V	4
$\bar{A}$	5
B	6
A	7

# DIMENSIONS

